



Government of Bermuda
Ministry of Public Works
Department of Works and Engineering

Addenda
For
Mangrove Bay Clinic Renovation

Procurement No.: **2023-002-MPW**

Issued: **October 28, 2024**

Submission Deadline: **November 29, 2024, 03:00 P.M.**

Addendum No. **0003**

Addendum Type: Clarification of Specifications

The following addendum supersedes information contained in the solicitation document issued for this procurement to the extent referenced. This Addendum forms part of the solicitation documents and will be subject to all the conditions set out in the contract conditions.

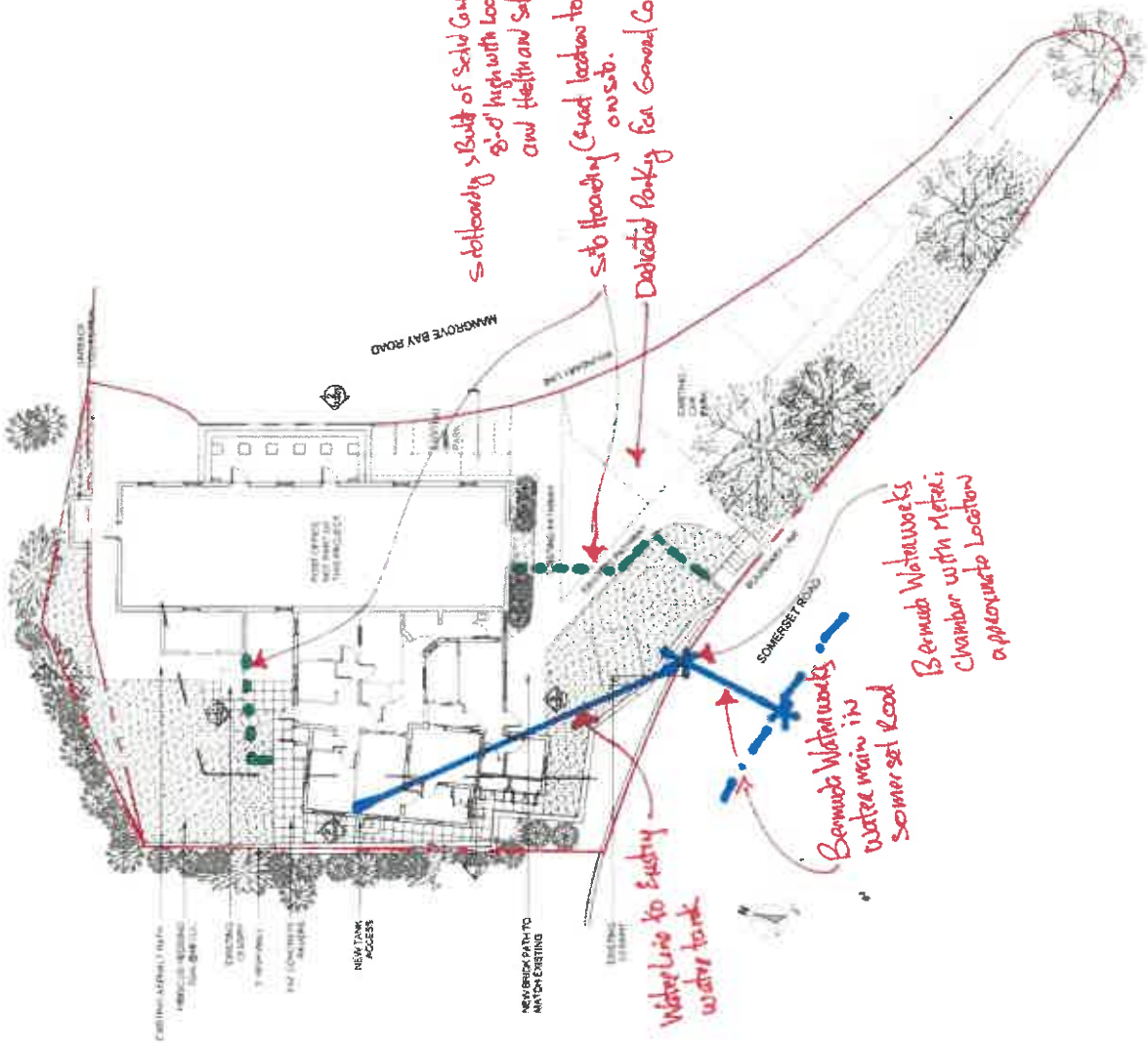
This addendum consists of 9 pages including the cover page.

1. Cleaning of Existing Water Tank
 - Empty water tank, remove any accumulation of sludge, dirt, and organic material, disinfect all horizontal and vertical surfaces, etc.
 - Make good any defected vertical and horizontal surfaces
 - Include for filling up water tank from local water outlet once cleaned and disinfected
 - Adhere to local Health and Safety regulations when working in confined spaces.
2. Vigua Arros Point of Entry/Water Filtration System & Point of Use Drinking Water and Lab Water Filtration with Deionization Water Filtration Systems
 - Carry an Allowance
 - See attached amended Pricing Form
3. Water Tank Top-up Line
 - Install a new water top up line from Bermuda Waterworks Limited's main located in the public road. The Contractor shall allow for all piping, fixtures, and fittings; the shut off valve shall be manual
 - Bermuda Waterworks Ltd. Will be responsible for the infrastructure from their watermain to their chamber with meter at the property boundary. The General Contractor will be responsible for works carried out from the meter to the water tank.
 - See attached Dwg_A-300
4. Site Hoarding
 - Post Building Control Number, Contractor/Subcontractor contact information, and Safety and Health signs.
 - Contractors staging area should be within the secured site hoarding.
 - Make good disturbed hard and soft landscape.
 - See attached Dwg_A-300
5. Window (W-07)
 - Replace existing lintel per lintel schedule
6. Project Dwg's
 - See attached Project Drawings – without Building Control Stamp (for information purposes only)
7. Henry Schein – Dental Product
 - Vista Pure Water Purification System has been added to the Henry Schein product list.
8. Revised Annex B Pricing Form attached

End of Addendum No:0003

SITE LEGEND	
	BOUNDARY LINE
	BOUNDARY SETBACK
	NEW TREE ON SURVEY
	EXISTING TREES/SHRUBS TO REMAIN

CONSTRUCTION LEGEND	
	EXISTING WALLS TO REMAIN
	PROPOSED CONCRETE BLOCK WALL
	PROPOSED CONCRETE FILLED WALL
	PROPOSED PARTITION WALL



Setbacking south of Sevia Construction's 8'-0" high with lockable gates and theft and Safeguards etc.

Site flooding (exact location to be confirmed on site).

Dedicated Piping for General Contractor

Bermuda Waterworks water main in Somerset Road

Bermuda Waterworks Chamber with Meter; appropriate location

Water line to existing water tank

GENERAL NOTES

All dimensions are in imperial units unless noted otherwise. Metric units shall be provided in parentheses following the imperial units. All dimensions shall be rounded to the nearest 1/8" or 3mm, whichever is more precise.

All materials and workmanship shall conform to the requirements of the applicable building codes and standards. The contractor shall be responsible for obtaining all necessary permits and approvals from the appropriate authorities. The contractor shall be responsible for obtaining all necessary permits and approvals from the appropriate authorities. The contractor shall be responsible for obtaining all necessary permits and approvals from the appropriate authorities.

DATE: 11/15/2023
 DRAWN BY: [Name]
 CHECKED BY: [Name]
 APPROVED BY: [Name]



NO.	REVISION	DATE

DEPARTMENT OF HEALTH
 MANGROVE BAY CLINIC
 RENOVATIONS & ADDITIONS
 PROJECT ADDRESS:
 20 MANGROVE BAY
 ST. JOHN'S, BERMUDA
 THE SHELF

PROPOSED SITE PLAN
 Project No: 2023-16
 Date: 11/15/23
 Scale: 1/8" = 1'-0"
 Drawn: [Name]
 Check: [Name]
 Sheet No:

A-300



GOVERNMENT OF BERMUDA
Ministry of Public Works

Estates Section

ANNEX-B

PRICING FORM

Client: Ministry of Public Works
Project: Mangrove Bay Clinic Renovation/Addition
55 Mangrove Bay Road, Sandy's
Building No: 0139
Contractor:

TO: The Government of Bermuda

- 1. We confirm that we have submitted a bona fide proposal, intended to be competitive and we have not fixed or adjusted our Price by or under or in accordance with any agreement or arrangement with any other bidder.
- 2. Having examined the Conditions of Contract, the Site, the Drawings and Specifications, and Addenda Nos. _____ inclusive for the execution of the above named Project, we, the undersigned, offer to execute and complete the whole of the requested works and remedy any defects therein in conformity with the Conditions of Contract, and related Specifications, Drawings, and Addenda for the sum of

_____ (words)

_____ (figures)

- 3. We acknowledge that the Request for Proposal documents form part of our Quotation submittal.
- 4. We undertake, if our Proposal is accepted, to commence the Works as soon as is reasonably possible after the receipt of notice to commence, and to complete the whole of the Works comprised in the Contract within the time stated in the Tender.
- 5. We confirm that our Proposal shall remain open for acceptance by the Government of Bermuda for a period of 90 calendar days from the date of this undertaking and we shall not withdraw this Proposal during this period.
- 6. Unless and until a formal Agreement is prepared and executed this Quote, together with your written acceptance thereof, shall constitute a binding contract between us.

7. We understand that you are not bound to accept the lowest or any tender that you may receive.
8. We confirm having received and complied with addenda number _____ to _____ (if any).
9. We confirm that we, the undersigned, are conducting business as a proper legal entity or an individual and either _____(i) are not delinquent, or _____(ii) are delinquent in making payments for outstanding debts for Government receivables such as Social Insurance contributions, Payroll Tax and Public Works (formerly Works & Engineering) fees.

LUMP SUM BREAKDOWN

- The LUMP SUM price must include the contractor overheads and margins.
- Break out costs must be included in the above LUMP SUM PRICE:
- The undersigned submits that, in proposing the under mentioned Subcontractors, he/she has consulted each and has ascertained to his complete satisfaction that those named are fully acquainted with the extent and nature of the Work involved and of the proposed construction schedule, and that they will execute the Work to conform to the requirements of the Contract Documents.

This project is Duty Free, and this should be reflected in the total Lump Sum Price.

1. General Conditions	\$
2. Demolition	\$
3. 1st Lift Block, Lintels & Belts	\$
4. Roof Framing & Covering	\$
5. Windows & Doors	\$
6. Plastering & Ceilings	\$
7. Tiling & Finishes	\$
8. Painting	\$
9. Millwork & Accessories	\$
10. Plumbing Installations	\$
<i>Proposed subcontractor</i>	
11. Air Conditioning Installations	\$
<i>Proposed subcontractor</i>	
12. Electrical Installations	\$
<i>Proposed subcontractor</i>	
13. Security Installations	\$
<i>Proposed subcontractor</i>	

14. Fire Installations	\$
<i>Proposed subcontractor</i>	
15. External Works – Roof Repair/Painting and Building Envelope Repair/Painting (Both Clinic and Post Office Buildings)	\$
<i>Proposed subcontractor</i>	
16. Allowance – Furniture Furnishings and Equipment (FFE)	\$ 125,000.00
17. Allowance – Water Filtrations System	\$ 8,700.00
Note: The General Contractor shall ensure Attendance Cost associated with works to be carried out by the Owner or by Separate Contractors is covered in the cost of the Project.	
Total Lump Sum	\$

We offer to execute and complete in accordance with the conditions of contract the whole of the works described in the Request for Proposal documents within the CONSTRUCTION PERIOD as stated below:

CONSTRUCTION DURATION..... weeks from the agreed Start Date.

START DATE: We propose to commence work within seven calendar days after notice to proceed with The Work.

Dated this _____ day of _____, 2024

SIGNED:

(signature) _____ in the capacity of _____

(block letters) _____

Duly authorized to sign tenders for and on behalf of:

(firm) _____

(address) _____

WITNESS:

(SIGNATURE) _____ in the capacity of _____

(block letters) _____

SCHEDULE OF RATES

The following rates are to be used for any additions or deletions to the Work and shall be inclusive of the Contactor's head office overhead, preliminaries and profits. Rates shall include all necessary labour, materials, equipment and plant for the finished work in place. The rates will be used for any variation to the contract and form the bases of any new rates.

#	Description	Unit	Cost
1	Labour (rates to be quoted inclusive of OH&P)	Hourly Rate	
1.1	Site Superintendent		
1.2	Top Grade Mason		
1.3	Skilled Mason		
1.4	Skilled Labour		
1.5	Skilled Carpenter		
1.6	Skilled Plumber		
1.7	Skilled Electrician		
1.8	Welder or Specialist Trade		
2	Elements	Unit	
2.1	Painting	Sq. Ft.	
2.2	Tiling	Sq. Ft.	
2.3	Excavation	CY	
2.4	Masonry		
2.5	Carpentry		
2.6	Trucking	Load	

SciCan

VistaPure™

Water Purification System

Meet your steri-center's new best friend

The VistaPure Water Purification System provides two grades of high-quality water for steam sterilizers, dental bottles, ultrasonic cleaners and the final-rinse cycle of compatible instrument washers. The system connects directly to the city water supply and sends high-quality water anywhere you need it in the steri-center for easy, on-demand use.



Two grades of the water practices need

For steam sterilizers:

Point-and-shoot wand makes filling sterilizers with autoclave-ready water a breeze. No more lifting heavy jugs of water!

For bottle systems:

Mounted faucet provides non-corrosive bottle-quality (hyperfiltered) water for bottle systems. No more buying bottled water!



Instant Status Monitoring

The VistaPure Water Purification System features an inline TDS meter that monitors water quality — and makes it easy to know when it's time to replace your filters.



No Electricity Required

The VistaPure Water Purification System operates on water and air pressure, so no electricity is required to supply all the high-quality water your office needs!



Environmentally Friendly

The VistaPure Water Purification System doesn't require chemicals, and its efficient design minimizes the amount of wastewater produced during filtration.

Optional Accessories

Instrument Washer Adapter Kit

S3010

Protect expensive instruments and equipment by using the VistaPure Water Purification System's hyperfiltered water for the final-rinse cycle of instrument washers like the HYDRIM® Instrument Washer.

AutoFill for BRAVO Autoclave Chamber

S3030

Replenish the SciCan BRAVO™ Chamber Autoclave's external refill tank with autoclave-quality water automatically — enabling truly hands-free convenience!

STATCLAVE Adapter Kit

S3015

Send autoclave-quality water directly from the VistaPure System to the SciCan STATCLAVE™ G4 Chamber Autoclave for hands-free automatic filling.

AutoFill for STATIM Autoclave

S3020

Deliver autoclave-quality water to your SciCan STATIM® Autoclave automatically. You'll never have to manually fill your STATIM Autoclave again!



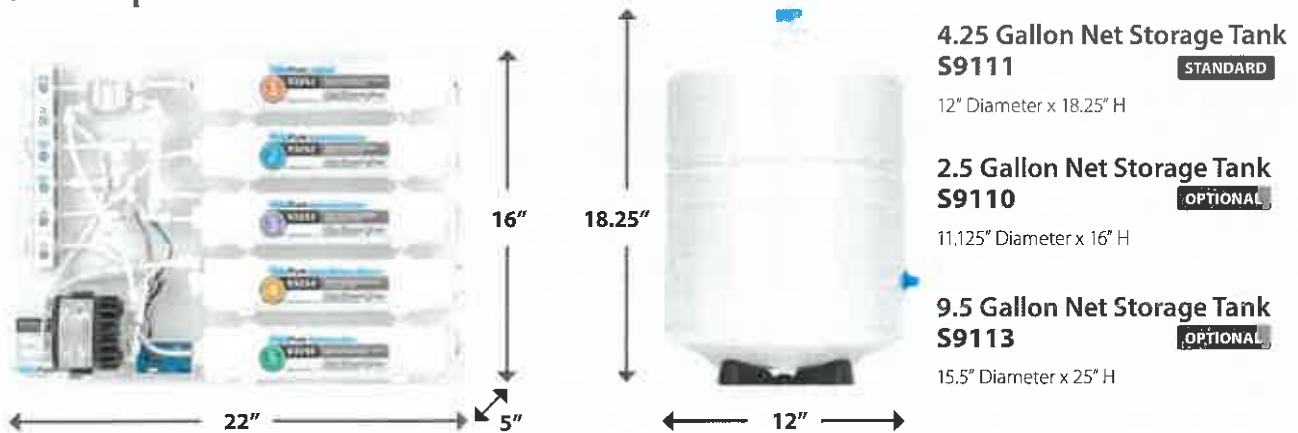
BottleFill Remote Water Dispenser

S3050

Offers the flexibility to choose the optimal placement for bottle filling by mounting securely under an upper cabinet anywhere in the steri-center.



Space Requirements



Manufactured by:
Crosstex International, Inc.
 1733 W. Parkside Lane
 Phoenix, AZ 85027 / USA
 T +1 (800) 531-2221
 VistaResearchGroup.com

Distributed by:
SciCan Ltd.
 1440 Don Mills Rd
 Toronto, ON M3B 3P9 / Canada
 TF +1 (800) 667-7733
 T +1 (416) 445-1600
 customerservice@scican.com

Distributed by:
SciCan US Office
 701 Technology Dr.
 Canonsburg, PA 15317 / USA
 T +1 724-820-1600
 F +1 800-572-1211
 uscusterservice@scican.com

VistaPure is a trademark of Crosstex International, Inc. a Cantel Medical Company.
 HYDRIM and STATIM are registered trademarks, and STATCLAVE and BRAVO are trademarks of SciCan Ltd.

For more information, visit www.scican.com

COLTENE